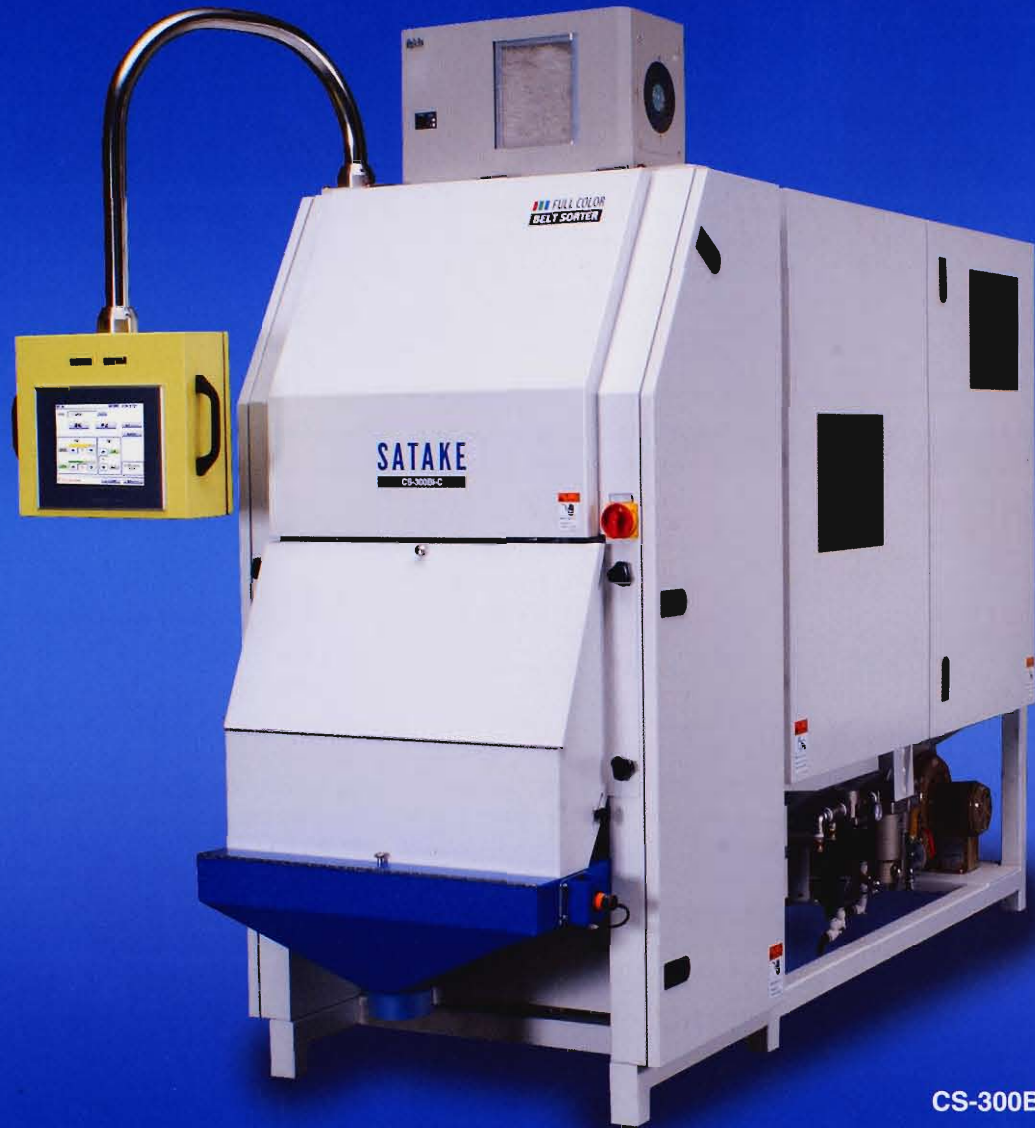


Sorter with Full Color Camera

FULL COLOR BELT SORTER

CS-300BI-C / CS-300BM-C / CS-600BI-C / CS-600BM-C



CS-300BI-C

SATAKE CORPORATION

FULL COLOR BELT SORTER CS

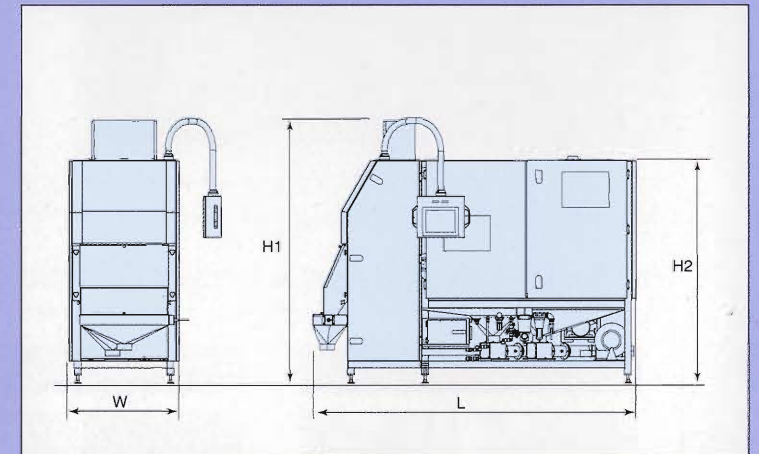
FULL COLOR BELT SORTER

Specifications

Model	CS-300BI-C	CS-300BM-C	CS-600BI-C	CS-600BM-C
Raw Material Supply	Electromagnetic Feeder, Belt Conveyor System			
Dimension of Belt Conveyor(mm)	Length : 1,500 Width : 300		Length : 1,500 Width : 600	
Camera	Full Color CCD x 2	Full Color CCD x 2, NIR x 1	Full Color CCD x 4	Full Color CCD x 4, NIR x 2
Light Source	Fluorescent x 8 (Top4+Bottom4)	Fluorescent x 6 (Top3+Bottom3) LED x 2 (Top1+Bottom1)	Fluorescent x 8 (Top4+Bottom4)	Fluorescent x 6 (Top3+Bottom3) LED x 2 (Top1+Bottom1)
The Number of Ejector	40		80	
Nozzle Pitch(mm)	7.5 (Nozzle Opening Width : 7)			
Capacity(t/h) [※]	Soybeans : 0.3 - 3 White beans : 0.3 - 3 Red beans : 0.25 - 2.5		Soybeans : 0.6 - 6 White beans : 0.6 - 6 Red beans : 0.2 - 5	
Power Supply(V)	3Φ AC 200			
Power Requirement(kW)	Normal : 1.5 Max : 4.2		Normal : 2.7 Max : 5.4	
Air Consumption(Nl/min)	500 - 750		1,000 - 1,500	
Net Weight (kg)	700		1,000	

※Sorting performance varies depending on variety, condition of material, and initial contamination.

Dimensions



Model	W (mm)	L (mm)	H1 (mm)	H2 (mm)
CS-300	942	2,733	2,241	1,890
CS-600	1,242	2,743	2,342	1,895

All Satake products are the subject of continuous development and, as a result, their specification may change and differ in detail from those shown.

SATAKE CORPORATION

Head Office

2-30, Saijo-Nishihonmachi,
Higashi-Hiroshima, 739-8602, Japan
Tel : +81-82-420-8560/8539
Fax : +81-82-420-0865
e-mail : kg-hiroshima@satake-japan.co.jp
URL : www.satake-japan.co.jp

UK Division

P.O.Box 53, Bredbury, Stockport,
Cheshire, SK6 2FG, England
Tel : +44-161-406-3800
Fax : +44-161-406-3801
e-mail : sales@satake.co.uk
URL : www.satake.co.uk

Yangon Office

No.32, Pyay Road,
Hlaing Township, Yangon
Myanmar
Tel : +95-1-525077
Fax : +95-1-512742
e-mail : ygsatake@mptmail.net.mm

Beijing Office

Room 4405, Building No.2,
No.208, 2nd Zone, Lize
Zhongyuan, Chaoyang District,
Beijing, People's Republic of China
Tel : +86-10-8454-0146
Fax : +86-10-8454-0145

SATAKE USA INC.

10905 Cash Road,
Stafford, Texas 77477 U.S.A.
Tel : +1-281-276-3600
Fax : +1-281-494-1375
e-mail : rice@satake-usa.com
URL : www.satake-usa.com

SATAKE (CANADA) INC.

5100 Fallingbrook Drive
Mississauga, Ontario, L5V
1S7, Canada
Tel : +1-905-858-0791
Fax : +1-905-858-0957
e-mail : satakecanada@rogers.com

SATAKE AMERICA LATINA LTDA.

Rua Xavantes, 155-Bairro
Atradores, CEP 89203-210,
Joinville, Santa Catarina, Brazil
Tel : +55-47-438-0413
Fax : +55-47-438-7932
e-mail : ricardo@satake.com.br

SATAKE INDIA ENGINEERING PVT. LTD.

4th Floor, Tower-1, HB Twin Towers, A2,
3, 4-Netaji Subhash Place, Wazirpur
District Centre, New Delhi, 110034, India
Tel : +91-11-47062626
Fax : +91-11-47062624
e-mail : satake@del2.vsnl.net.in

SATAKE (THAILAND) CO., LTD.

133 Moo 5, Bangkadi Industrial Park,
Tivanon Road, Patumthani 12000, Thailand
Tel : +66-2-501-1180
Fax : +66-2-501-1188
e-mail : sataketh@asia.com
URL : http://www.sataketh.com/

SATAKE INTERNATIONAL BANGKOK CO., LTD.

888/152 Mahatun Plaza Bld. 15th Floor
Ploenchit Rd., Lumpini Pathumwan
Bangkok 10330, THAILAND
Tel : +66-2-651-5845
Fax : +66-2-651-5848
e-mail : sataketh@asia.com

SATAKE MANUFACTURING (SUZHOU) CO., LTD.

Jin Feng Road, Suzhou
New District, Suzhou City,
Jiangsu Province P.R.China
Tel : +86-512-6536-8225
Fax : +86-512-6536-3004
e-mail : satake@satake.cn

SATAKE AUSTRALIA PTY. LTD.

23-25 Marigold Street, Revesby,
NSW 2212 Australia
Tel : +61-2-9774-1155
Fax : +61-2-9774-1248
e-mail : sataus@ozemail.com.au
URL : www.satake.com.au

SATAKE CORPORATION has
obtained ISO 9001 and ISO
14001 certification.
These international standards
for management systems
ensure Satake will continue to
provide high quality products
and services.

ISO 9001 Certification
(Quality Management Systems)

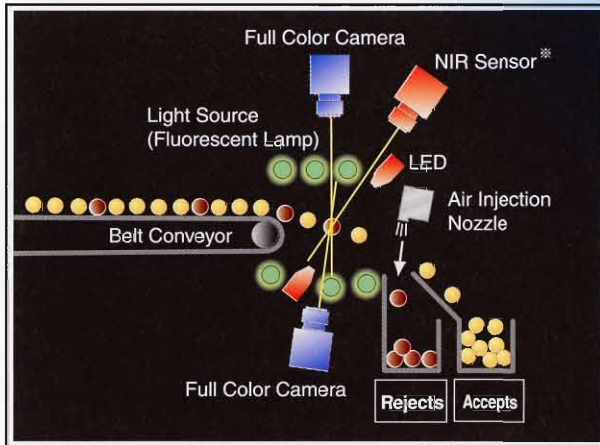
ISO 14001 Certification
(Environmental Management Systems)

The Satake Full Color Belt Sorter gives excellent sorting performance on many types of food and non-food materials.

The Satake Full Color Belt Sorter can even detect and reject materials of similar color, like beans and plastic pellets. A Belt is incorporated instead of a chute which enables the sorter to handle round materials with high accuracy. The multi-type model (CS-300BM-C·CS-600BM-C) is equipped with an NIR camera and can sort out glass, stones and other inorganic materials simultaneously.



CS-300BI-C

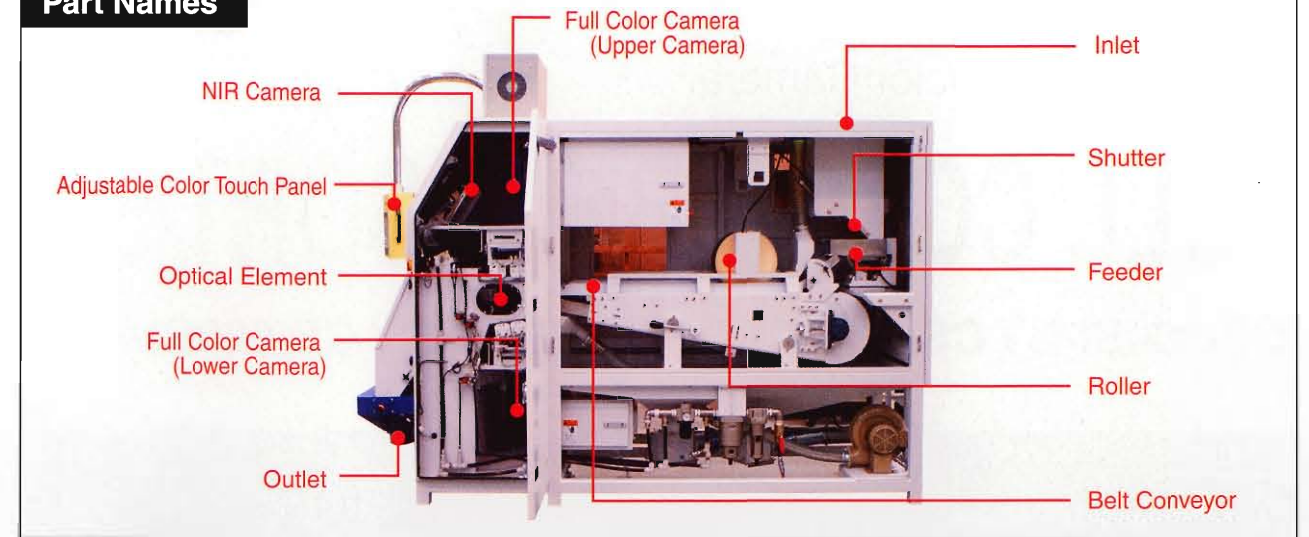


Defective products are ejected from the product stream by air jets at the bottom of the machine.
 ※(NIR sensor and light source(LED) for NIR sensor and installed in CS-300BM-C and CS-600BM-C)

The Sorter can also sort and reject plastic pellets.

Soybeans		White Beans		Red Beans	
Accepts	Rejects	Accepts	Rejects	Accepts	Rejects
Black Beans		Almonds		Raisins	
Accepts	Rejects	Accepts	Rejects	Accepts	Rejects
Rejects samples using NIR(near infrared) light CS-300BM-C·CS-600BM-C					
White Stone	Transparent Glass	Colored Glass	Ceramic	Transparent Plastic	

Part Names



Adoption of Full Color Camera



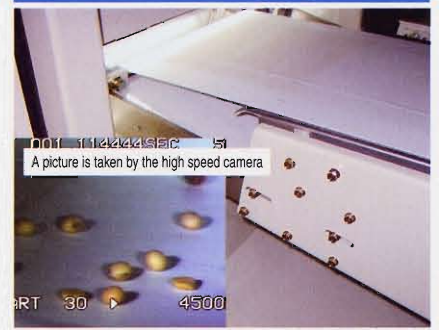
The full color camera simultaneously uses three wave lengths, which are R(red), G(green), and B(blue). It can thereby even detect and reject material of similar color.

Adoption of NIR Camera



The NIR Sensor eliminates impurities such as glass, plastic and stones by utilizing the infrared light spectrum to detect hazardous foreign material.

Belt Conveying



The use of the belt enables unstable and fragile materials to be carried with stability.

Easy Operation

Movable Large-sized Color Touch Panel



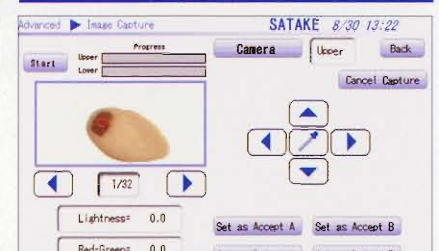
The touch panel is easy to operate due to its adjustable orientation.

Easy Setting



100 settings can be registered. No extra operational adjustments are therefore required after changing the input material.

Sensitivity Setting by Image Data



The Sorter's excellent efficiency results from its ability to detect small color differences by comparing images with stored data.

Easy Maintenance

Cleaning



Adhesion of dirt and dust are prevented due to cleaning of the glass surface by means of air and a wiper.

Fluorescent Lamp Replacement



The Fluorescent lamp is easy to change when required.

Belt Replacement



The belt is easy to change without using special tools.