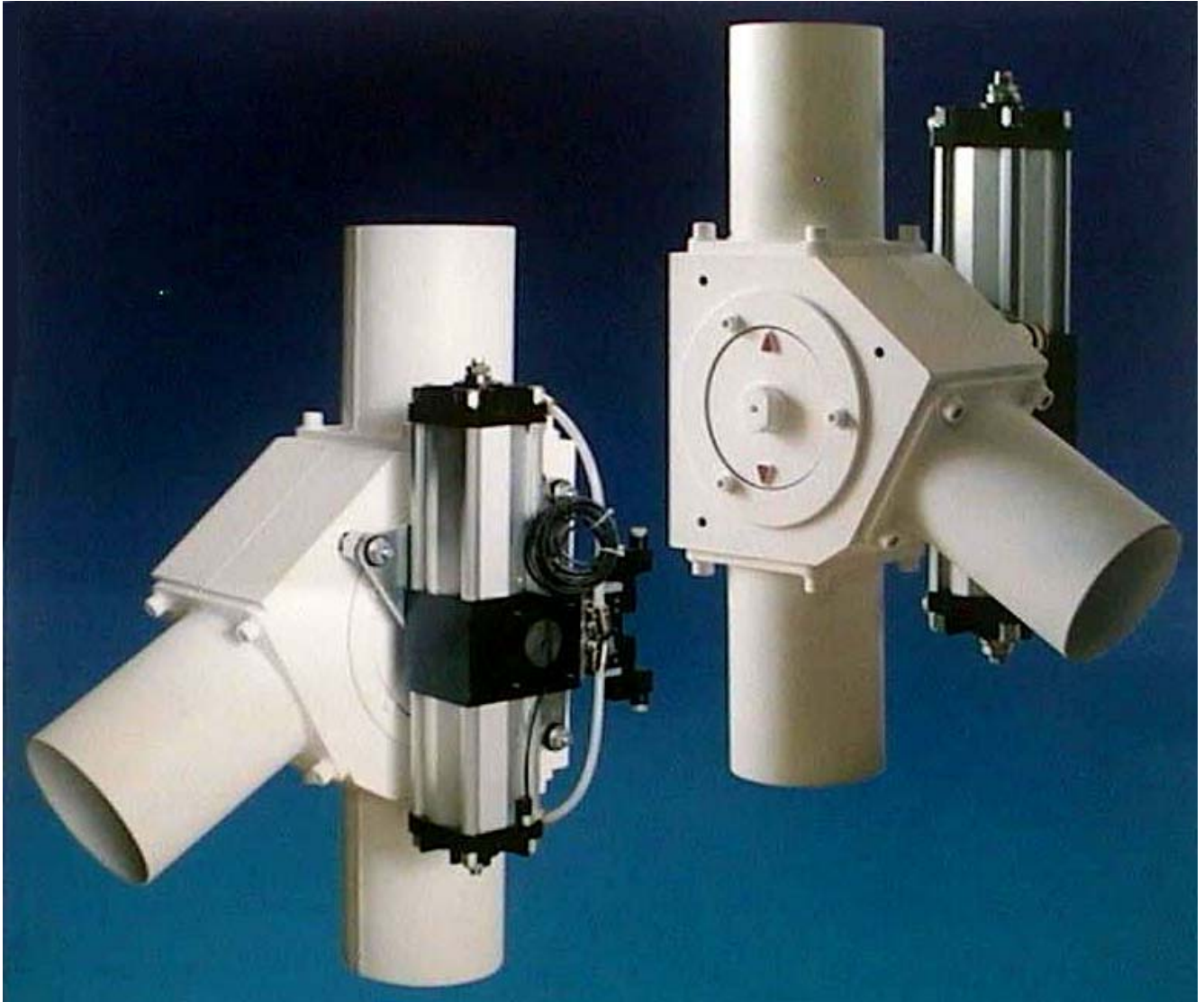
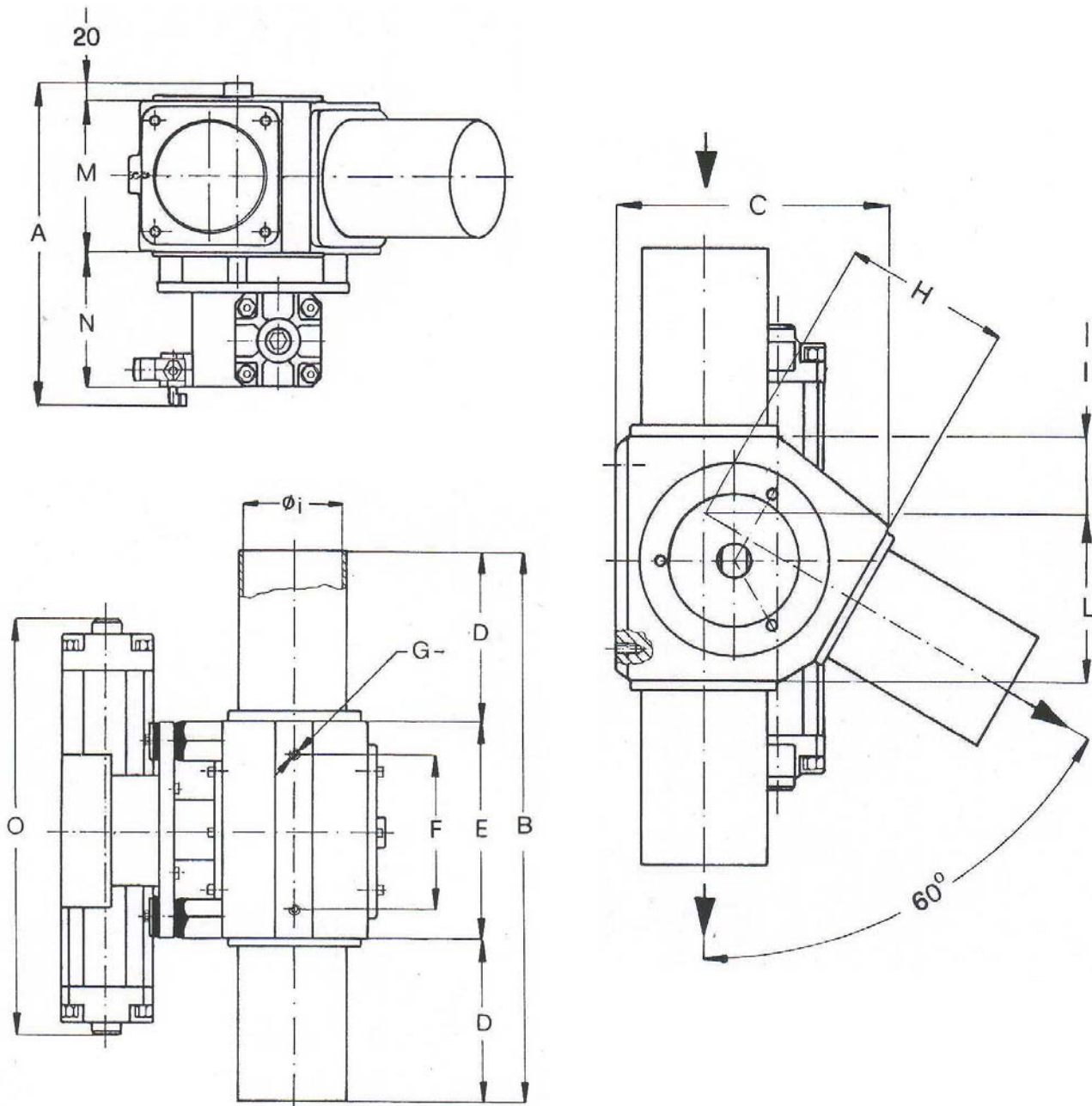


## VDM Two-Way Diverting Valve



The diverting valve type “VDM” is used in the pneumatic conveying lines both in negative than and positive pressure. It consists of a cast iron slide controlled by a rotary pneumatic cylinder with magnetic end switches. The lateral covers are made in bronze, the air seals in anti-wear material (Teflon). The valve is equipped with joint-pipes in different diameters to satisfy all the needs of the customer.



TIPO TYPE TYPE TYP	A	B	C	D	E	F	G	H	I	L	M	N	internal diameter of the pipe $\phi$ , (mm)
VDM65	260	515	171	185	145	105	M8	104	44	100	101	120	41 - 46 - 51 - 56 - 59,5 - 65 - 71 - 75
VDM95	292	560	222	185	190	140	M10	134	56	134	130	144	84 - 89 - 97 - 103
VDM120	347	610	280	185	240	180	M12	169	71	169	160	144	109 - 116 - 121,2 - 127,2 - 133,9
VDM150	395	730	348	210	310	230	M16	219	93	217	190	158	148,6 - 153,2 - 162
VDM200	452	900	466	250	400	280	M16	294	113,5	286,5	240	158	167 - 213

\* Measure "O" changes according to the size of the air-cylinder